

35731

HP Monochrome Monitor

Installation Guide

Guía de Instalación

Montagehinweise

Manuel d'Installation

Manuale d'Installazione

Printed in Korea

Herstellerbescheinigung

Hiermit wird bescheinigt, daß das Gerät/System
**HEWLETT-PACKARD MODEL 35731B VIDEO
MONITOR**

in Übereinstimmung mit den Bestimmungen von
Postverfügung 1046/84 funkentstört ist.

Der Deutschen Bundespost wurde das Inverkehrbringen
dieses Gerätes/Systems angezeigt und die Berechtigung zur
Überprüfung der Serie auf Einhaltung der Bestimmungen
eingeräumt.

Manufacturer's Declaration

This is to certify that the equipment
**HEWLETT-PACKARD MODEL 35731B VIDEO
MONITOR**

is in accordance with the Radio Interference Requirements
of Directive FTZ 1046/84. The German Bundespost was noti-
fied that this equipment was put into circulation, the right
to check the series for compliance with the requirements
was granted.

HP 35731 Monochrome Monitor Installation Guide



**Manual Part No.
035731-90001**

Table of Contents

English: 1

Español: 15

Deutsch: 29

Français: 41

Italiano: 55

**Federal
Communications Commission
Radio Interference
Statement**

Warning

This equipment has been certified to comply with the limits for a Class B computing device, pursuant to Subpart J of Part 15 of FCC Rules. Operation with non-certified computers is likely to result in interference to radio and TV reception.

Notice

The information contained in this document is subject to change without notice. **Hewlett-Packard makes no warranty of any kind with regard to this material including, but not limited to, the implied warranties of merchantability and fitness for a particular purpose.** Hewlett-Packard shall not be liable for errors contained herein or for incidental or consequential damages in connection with the furnishing, performance, or use of this material.

Roseville Terminals Division
8020 Foothills Blvd.
Roseville, California 95678

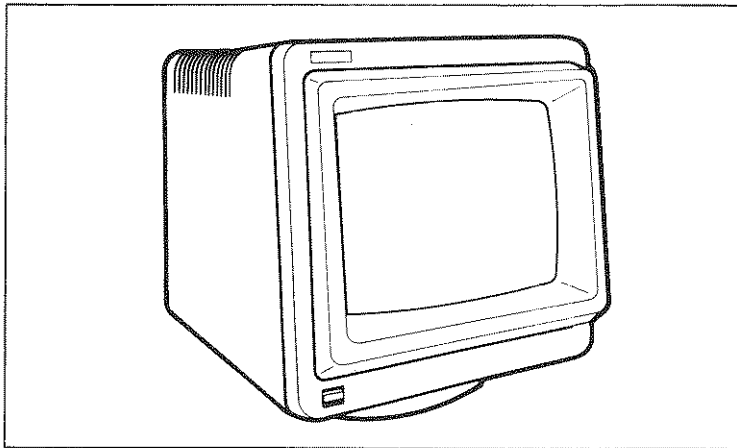
Printing History

First edition—February 1985

HP Monitor Installation Guide

Introduction

Figure 1. HP 35731 Video Display Monitor



Note Please read all instructions before beginning installation.

The HP 35731 Video Display Monitor is a high resolution, monochrome CRT display unit with a 12-inch screen and the following features:

- Switch-selectable aspect ratio (5:4 or 1:1)
- Front panel power, brightness and contrast controls
- Built-in tilt and swivel mechanisms
- Removable CRT bezel for optional HP Touch Accessory (user-installable)
- Analog composite video input with 16 gray levels
- Minimum screen distortion for excellent graphics
- Internal speaker

Installing and Connecting the Monitor

The following is a list of what you need to install and prepare your monitor for use:

1. Monitor
2. A control unit (personal computer, terminal or workstation) to connect to the monitor
3. The control unit User's Manual
4. Video cable (supplied with control unit or purchased separately)
5. Power cord
6. An insulated screwdriver for adjusting the screen image
7. HP Touch Accessory (optional) plus HP Touch Installation Guide

Note

This HP Monitor may be used with one of various control units. This manual, therefore, describes installation procedures that are general in nature. For more specific installation instructions, please refer to the User's Manual for your control unit.

HP Touch Installation

If you have purchased HP Touch, consult the HP Touch Installation Guide and install HP Touch before proceeding with monitor installation.

Note

An additional cable is required on some systems if HP Touch is installed. Please follow instructions in your system manual for attaching the display unit to the control unit with the extra cable.

Where to Put Monitor

Place the monitor on a flat, sturdy surface, or on top of the control unit you are using.

Be sure to leave enough space for air to flow through ventilation holes at the top, bottom and sides of the monitor.

Note

The operating site must be free from excessive heat, moisture or electromagnetic field sources such as transformers, motors and other equipment producing strong magnetic fields.

Where Are The Connections?

The controls and connections provided on the back of the monitor are shown in Figure 2.

Figure 2. Points Of Connection (Back of Monitor)

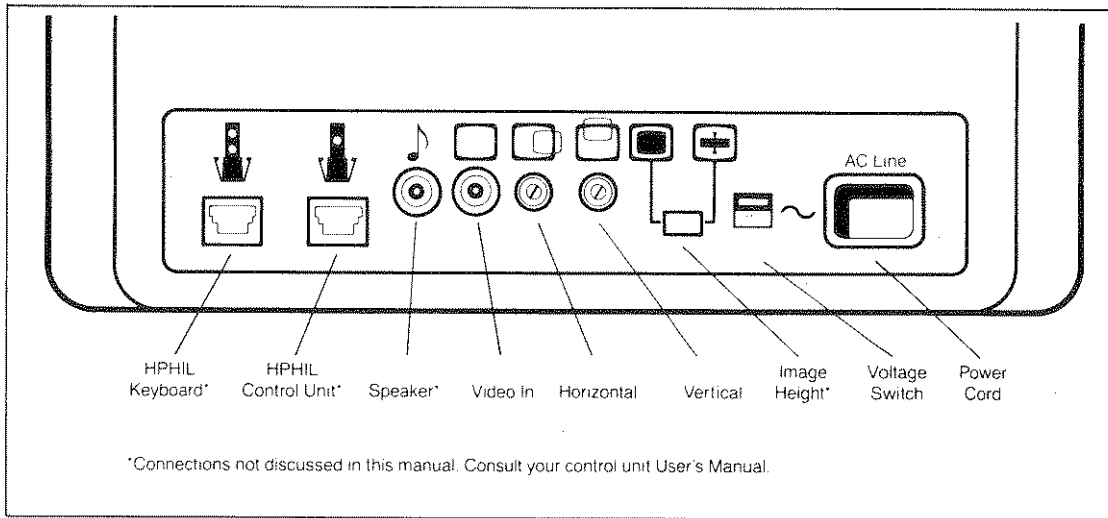
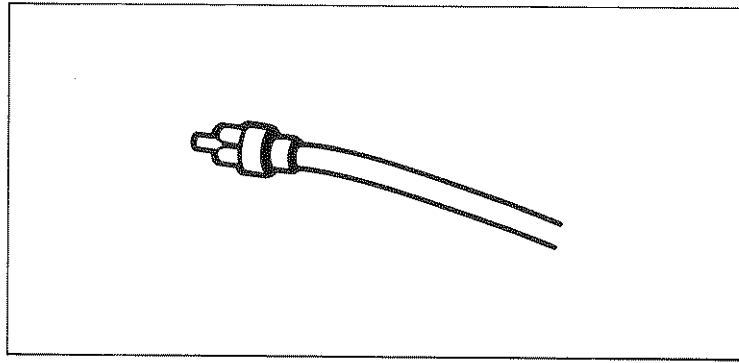


Figure 3. Video Cable



Note

The video cable to be used with the HP Monitor is either included with the HP control unit or purchased separately as an accessory. This cable has a phono-type plug on the end that connects to the monitor. The control unit end of the cable will vary. If you have the wrong kind of cable, please contact your HP sales office or dealer to obtain the correct video cable.

How to Make The Right Connections

Follow these steps to make the right connections on your monitor:

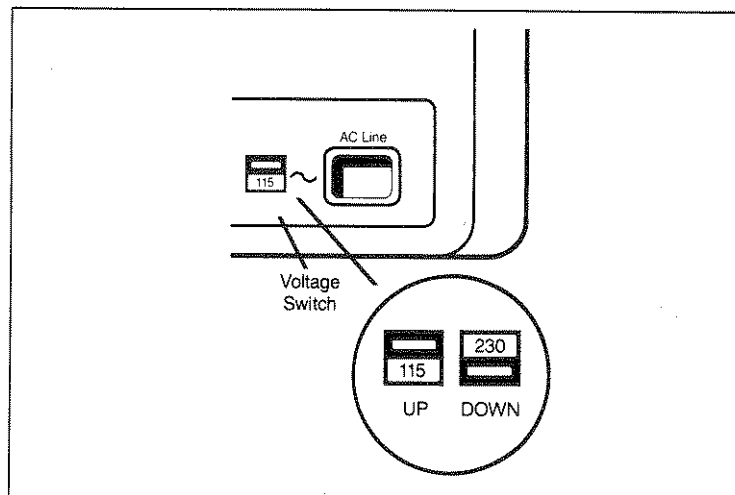
Caution

If your HP Monitor is equipped with a voltage selection switch (Figure 4), make sure that the switch is set for the correct voltage **BEFORE** applying power to the monitor. You will damage the monitor if you run it at the wrong voltage.

To set the voltage switch:

- Insert a small, flat-head screwdriver or similar tool into the recessed voltage switch illustrated in Figure 4.
- For 115 Volts, push the switch UP (the switch reads "115V" in this position).
- For 230 Volts, push the switch DOWN (it reads "230V" in this position).

Figure 4. Voltage Switch (Rear Of Monitor)

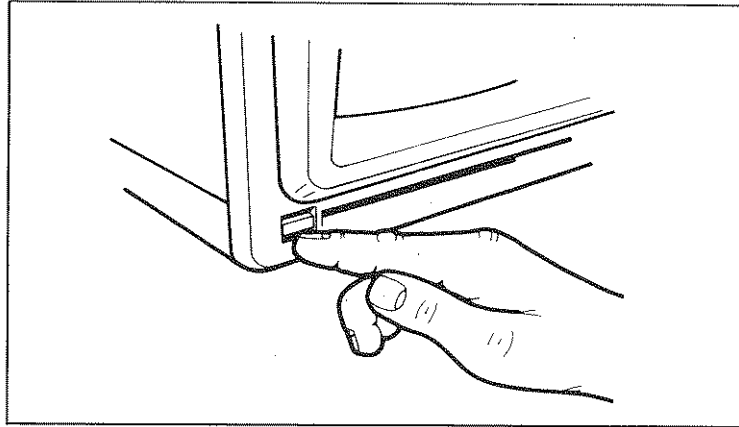


Warning

Be sure that the monitor power button is set to OFF (Figure 5).

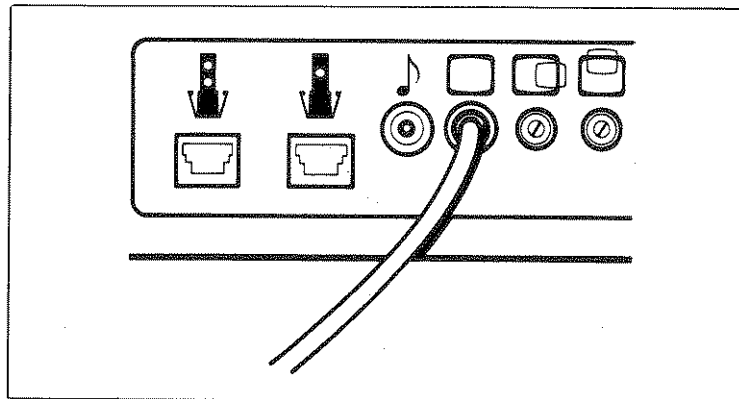
Be sure the control unit is turned off before connecting any cables to it.

Figure 5. Power Button Operation



- Plug the phone-type end of the video cable into the VIDEO IN socket on the monitor (Figure 6).

Figure 6. Video Cable Connected To Monitor



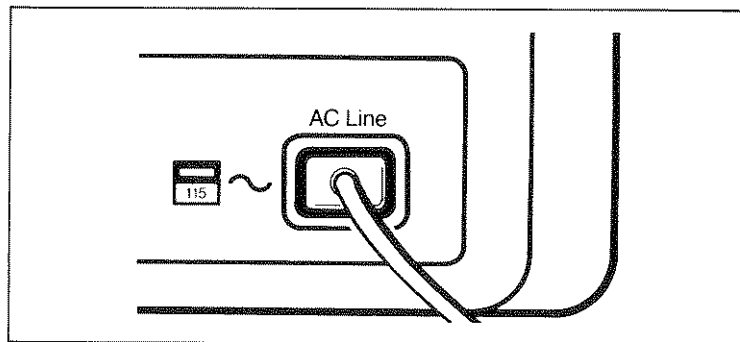
- Plug the other end of the video cable into the video output connector socket on your control unit (see control unit User's Manual for specific information).
- Make any other connections at this time as directed by your control unit User's Manual.

Warning

Make sure that you connect the power cord to the monitor **BEFORE** you connect the cord to the power source. Contact with a live power cord could result in serious injury or death.

- Now connect the power cord to the AC connector on the monitor as shown in Figure 7. (If your control unit or personal computer is equipped with a convenience outlet, you have an alternate method of getting power to the monitor. Instead of using the monitor's power cord, you can use the short cable shipped with your system to connect the power from the monitor to the control unit. Consult your control unit's manual for complete details.)

Figure 7. Power Cord Connected To The Monitor

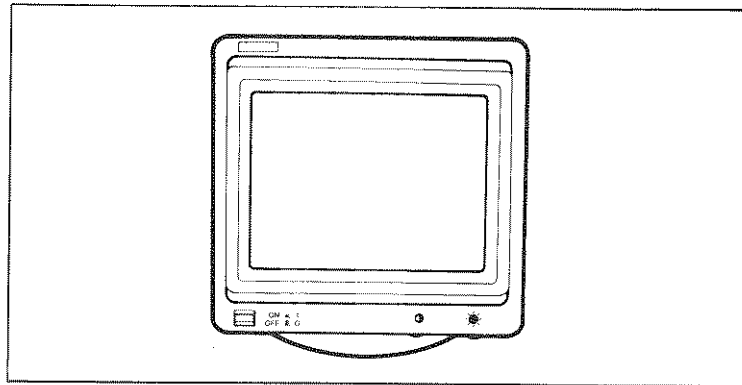


- Now plug the other end of the power cord into an electrical outlet.
- To turn the monitor on and make the proper adjustments, please read the section "Adjusting and Controlling Your Monitor".

Adjusting And Controlling Your Monitor

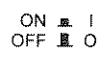


Your HP Monitor is designed for your ease of use. The controls most frequently used are located on the front of the monitor (Figure 8).

Figure 8. Front Panel Controls



How To Operate Controls

The following table shows the symbols for each user control and tells how to operate each control:

- | | |
|---|--|
|  | Press in to turn monitor on. Press again to turn monitor OFF. |
|  | Turn counterclockwise to increase contrast. Turn clockwise to decrease contrast. |
|  | Turn counterclockwise to increase brightness. Turn clockwise to decrease brightness. |

Caution

Displaying an image with brightness and contrast at maximum level can damage the screen permanently.

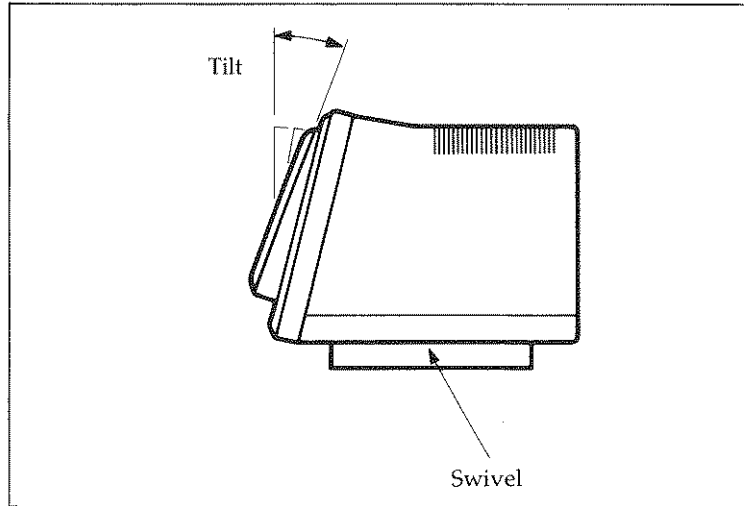


Insert an insulated screwdriver to adjust image vertically (located on back of monitor)



Insert an insulated screwdriver to adjust image horizontally (located on back of monitor)

Figure 9. Operating Tilt and Swivel



Specifications

Display	CRT:	12-inch diagonal, 90-degree deflection non-glare screen.
	Max Active Display Area:	210 (W) × 164 (H) mm (Actual display area depends on switch setting and video source).
Video Input Signal	Type:	Composite video
	Polarity:	Negative sync
	Input Impedance:	75 ohms
	Input Terminal:	RCA Phono jack
Electrical Performance	Video Bandwidth:	35731 A & B: 30 Hz to 25 MHz (±3dB) 35731 H: 30 Hz to 35 MHz (±3dB)
	Scan Frequency:	Horizontal 24.90-25.5 KHz Vertical 60 Hz (16.67 ms) or 50 Hz (20.00 ms)
	Display Capacity:	35731 A & B: 800 dots × 400 lines 35731 H: 1024 dots × 768 lines
Ambient Operating Temperature		0 to 55 degrees Centigrade
Ambient Storage Temperature		-40 to 75 degrees Centigrade
AC Power Requirements		35731 A: 60 Hz, 45 W (108-132 V) 35731 B & H: 50 or 60 Hz, 45 W (90-132 V, or 180-264 V)
Physical Dimensions		340 (W) × 332 (H) × 240 (D) mm
Weight		10.0 kg

Warranty Information (U.S.A. and Canada)

In the U.S. and Canada, this product is warranted by Hewlett-Packard against defects in materials and workmanship for one year from date of original purchase. If you transfer ownership, this warranty is automatically transferred to the new owner and remains in effect for the original one year period.

During the warranty period we will repair or, at our option, replace at no charge any unit that proves to be defective, provided it is returned, shipping prepaid, to an identified Hewlett-Packard repair facility. You are responsible for all customs duties in connection with the return of the unit.

This warranty does not apply if the product has been damaged by accident or misuse, or as a result of service or modification by other than an authorized HP repair facility, or by hardware, software interfacing, or peripherals not provided by Hewlett-Packard. Hewlett-Packard shall have no obligation to modify or update products once manufactured. This warranty does not apply to HP software products. If this product is purchased as part of certain HP systems, consult the system warranty for any potential modifications to this product warranty.

No other expressed warranty is given. The repair or replacement of a product is your exclusive remedy. Any implied warranty of merchantability or fitness is limited to the one year duration of this written warranty. Some states or provinces do not allow limitations on how long an implied warranty lasts, so the above limitation or exclusion may not apply to you. In no event shall Hewlett-Packard Company be liable for consequential damages. Some states or provinces do not allow the exclusion or limitations of incidental or consequential damages, so the above limitation or exclusion may not apply to you.

This warranty gives you specific legal rights, and you may also have other rights which vary according to the state or province in which you reside. Retain this warranty for your records.

If your hardware should fail during the warranty period, bring the failed piece of equipment to an Authorized HP Personal Computer Dealer Repair Center—or send the equipment to an HP Field repair center in your area. If you are uncertain about which unit to return, call your Authorized HP Dealer or Field Repair Center for assistance. When sending equipment to a Field Repair Center, use the original shipping container if possible. Insure the shipment.

Call your Hewlett-Packard Authorized Dealer or one of the Hewlett-Packard Sales and Service Offices to learn more about the support services available to you.

**Warranty
Information
(Except U.S.A.
and Canada)**

In countries outside the U.S.A. and Canada, contact your local Hewlett-Packard Sales and Service facility to determine warranty terms.

1

2

3

.....

.....